

ShinMaywa

Submersible Pumps

(Channel Impeller with Built-in Chopper)

CJ Series



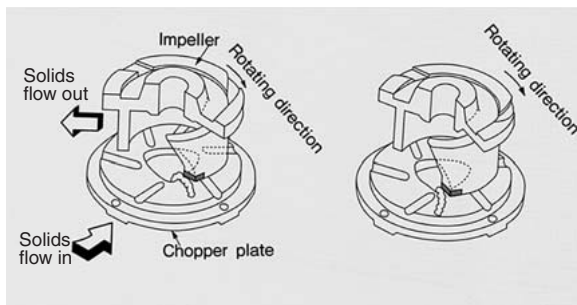
Pumps with Built-in Chopper

The CJ series has a built-in chopper for 'chopping' the solids which can cause the pump to be clogged or tangled.

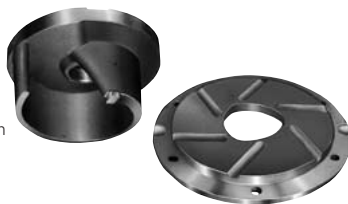
Applications

- Transferring sewage/wastewater containing solids
- Effluent from building facilities as sanitary equipment

Chopper Mechanism



The chopper mechanism consists of a grooved chopper plate (suction cover) and cutter chip impeller. The solids will be cut as shown in the above illustration.



CJ Series



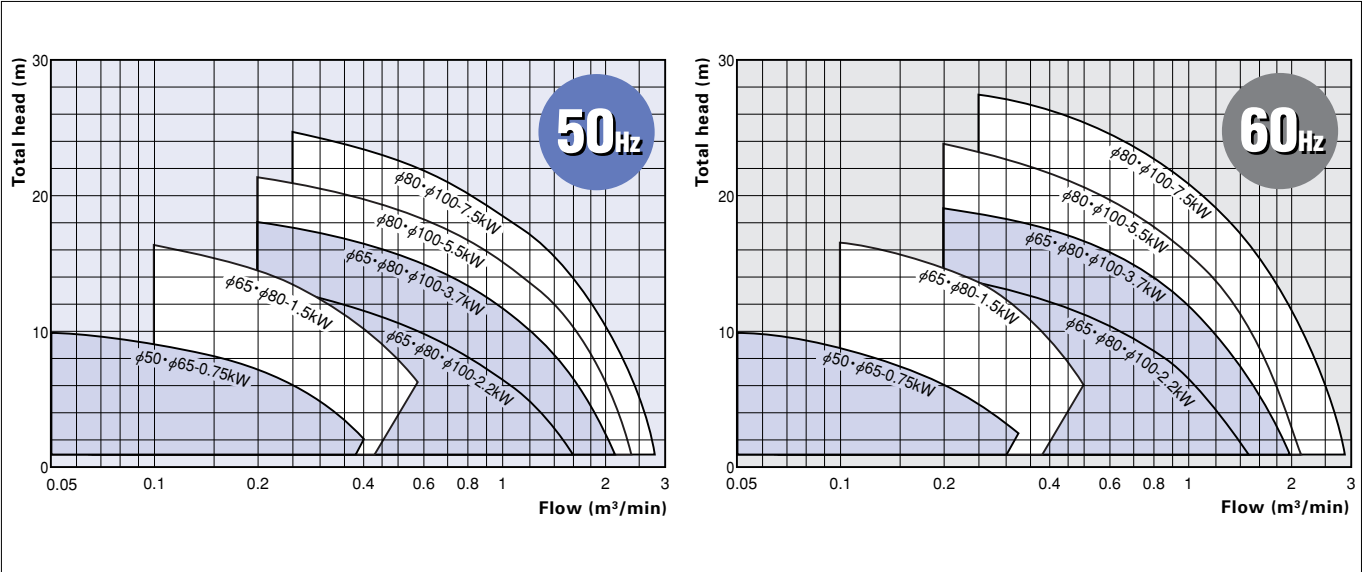
Discharge size
50 ~ 100mm
Rated output
0.75 ~ 7.5kW
Phase
Three-phase

Standard Specifications

Discharge mm	Pump model	Installation kit No.		Rated output kW	No. of poles	Flow-Total head m ³ /min		Solid passage dia. (Soft solid) mm		Pump weight kg
		Guide rail installation	Free standing			50Hz	60Hz	50Hz	60Hz	
50	CJ501	P50	F50	0.75	2	[1] 0.2 - 7.2	[2] 0.2 - 6.1	30	29	19.5
						[3] 0.15 - 5.1	[4] 0.15 - 4.9			
65	CJ501	P65B	F65B	0.75	2	[1] 0.2 - 7.2	[2] 0.2 - 6.1	30	29	19.5
						[3] 0.15 - 5.1	[4] 0.15 - 4.9			
	CJ651	P65	F65	1.5	4	0.4 - 10.2	0.4 - 9.3	41	36	29
				2.2		0.8 - 8.2	0.8 - 8.5	54	53	58
	CJ80			3.7		1.0 - 11.7	1.0 - 11.8	53	54	70
80	CJ651	P80	F80	1.5	2	0.4 - 10.2	0.4 - 9.3	41	36	29
				2.2		0.8 - 8.2	0.8 - 8.5	54	53	58
	CJ80	P80B	F80	3.7	4	1.0 - 11.7	1.0 - 11.8	53	54	70
				5.5		1.2 - 13.6	1.2 - 13.6	60	53	95
				7.5		1.4 - 15.6	1.4 - 17.4	60	60	108
100	CJ80	P100B	F100	2.2	4	0.8 - 8.2	0.8 - 8.5	54	53	58
				3.7		1.0 - 11.7	1.0 - 11.8	53	54	70
	CJ100			5.5		1.2 - 13.6	1.2 - 13.6	60	53	95
				7.5		1.4 - 15.6	1.4 - 17.4	60	60	108

*The starting method is 'direct-on-line start.' (Note)Specify both pump model and installation kit No. to contact the dealer. *Figures in brackets [] indicate impeller number.

Performance Curves



Standard Specifications

Handling liquid	Kind of liquid	Wastewater and sewage including sludge
Material	Cable	PVC insulated PVC sheathed cable
	Motor shaft	420J2 stainless steel
	Pump housing	Gray iron casting (FC200)
	Impeller	Gray iron casting (FC200)
Electric motor	Type	Air-filled submersible induction motor
	Insulation	Class E
	Enclosure	IP68
	Phase	Three-phase

Optional Specifications

Cable extension	Length of cable 10-30m (every 5m)	
Material change	Impeller	304 stainless steel casting For other materials, please contact to ShinMaywa
	Suction cover	
	Lifting chain	304 stainless steel
Motor protector	Thermal switches embedded in the stator windings Leakage detector (For models CJ80 and CJ100)	
Insulation	Class F	

Standard Accessories

- **Power cable**.....1
6m for 0.75kW / 8m for 1.5kW~7.5kW

Guide Rail Installation Kit

- Discharge connection
- Guide holder (with bolts and nuts)
- Sliding bracket
- Lifting chain (6m)

Discharge mm	Installation kit No.	Kit weight kg	Connection weight kg
50	P50	11	4.5
65	P65B	20	14.5
	P65	24	15
80	P80	31.5	20.5
	P80B	31.5	18
100	P100B	40.5	27

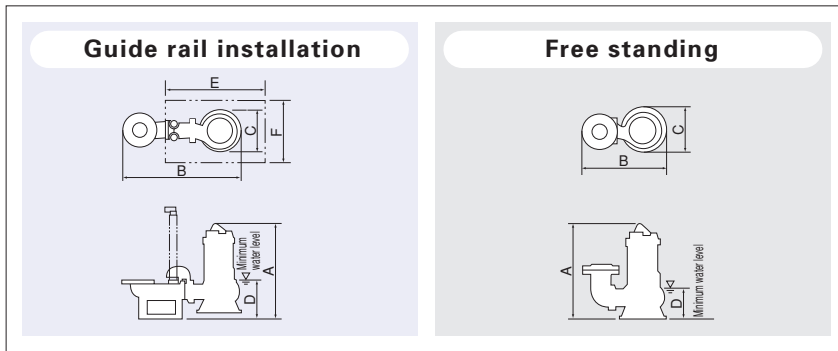
Free Standing Kit

- Discharge flange
- Companion flange (with bolts, nuts and gasket)

Discharge mm	Installation kit No.	Kit weight kg
50	F50	☆
65	F65B	5.5
	F65	7
80	F80	9.5
100	F100	11

☆Built into the pump.

Dimensions



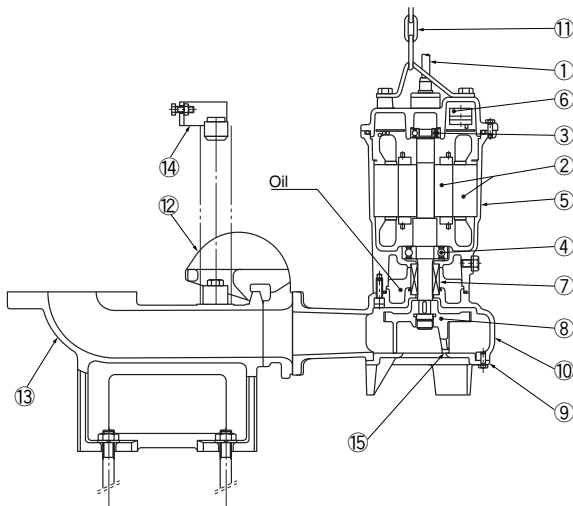
Packing Size

Model	Length mm	Width mm	Height mm	
CJ501	300	245	460	
CJ651	295	255	530	
CJ80	2.2kW	440	400	690
	3.7kW	470	430	720
CJ100	5.5kW	540	460	760
	7.5kW	540	460	790

		mm								
Model	Installation kit No.	Rated output kW	A	B	C	D	E	F		
Guide rail installation	CJ501	P50	0.75	460	474	220	180	550	350	
		P65B			547					
	CJ651	P65	1.5	530	663	192	215	550	350	
		P80			739					
	CJ80	P65	2.2	580	754	292	220	600	500	
			3.7		642					
		P80B	2.2	620	830	292	260	600	500	
			3.7		682					
		P100B	2.2	620	843	292	260	600	500	
			3.7		682					
CJ100	P80B	5.5	710	907	355	260	700	600		
		7.5		745						922
	P100B	5.5	710	920	355	260	700	600		
		7.5		745						935

		mm						
Model	Installation kit No.	Rated output kW	A	B	C	D		
Free standing	CJ501	F50	0.75	414	276	220	135	
		F65B			371			
CJ651	F65	1.5	454	418	192	140		
				F80				433
CJ80	F65	2.2	550	509	292	190		
		3.7		612				528
	F80	2.2	550	524	292	190		
		3.7		612				543
	F100	2.2	550	541	292	190		
		3.7		612				560
CJ100	F80	5.5	640	601	355	190		
		7.5		675				616
	F100	5.5	640	618	355	190		
		7.5		675				633

Sectional View



No.	Part Name	Material
1	Cable	PVC insulated PVC sheathed cable
2	Motor	Shaft: 420J2 stainless steel
3	Ball bearing (upper)	—
4	Ball bearing (lower)	—
5	Stator housing	Gray iron casting (FC200)
6	Thermal protector	—
7	Mechanical seal	—
8	Impeller	Gray iron casting (FC200)
9	Suction cover	Gray iron casting (FC200)
10	Pump housing	Gray iron casting (FC200)
11	Lifting chain	Structural steel
12	Sliding bracket	Gray iron casting (FC200)
13	Discharge connection	Gray iron casting (FC200)
14	Guide holder	P50/P65B: 304 stainless steel Others: 304 stainless steel casting
15	Cutting tip	Tungsten carbide (WC)

Specifications and dimensions are subject to change without notice.

ShinMaywa Industries, Ltd.

International Business Group
Sales & Marketing Dept., Fluid Div.

3-2-43, Shitte, Tsurumi-ku, Yokohama, 230-0003, Japan
Phone : +81-45-584-1322 Fax : +81-45-575-2286
E-mail : sales.eisui@shinmaywa.co.jp

ShinMaywa (America), Ltd.

10737 Gateway West, Suite 240,
El Paso, Texas 79935, U.S.A.
Phone : +1-915-594-9862
Fax : +1-915-594-9866
E-mail : info@shinmaywaamerica.com

ShinMaywa (Asia) Pte. Ltd.

8 Burn Road, #14-10 Trivex,
Singapore 369977
Phone : +65-6224-0728
Fax : +65-6224-9678
E-mail : asia.ad@shinmaywa.com.sg

ShinMaywa (Shanghai) Trading Co., Ltd.

201107 Building 6, Lane 333, Zhujian Road,
Minhang District, Shanghai, China
Phone : +86-21-5296-2966
Fax : +86-21-5296-2970
E-mail : shanghai@shinmaywa.co.jp



ShinMaywa ONO PLANT

ISO 9001(No.956445)/ISO 14001(No.771888)